

Stock Code: **63146LEDD-BS/CLR**

Collection: Port Nine Martini

### PRODUCT INFORMATION

Base: 63146 Parent: 63146LEDD  
Mounting Type: Ceiling UPC: 641594239553  
Finish: Brushed Steel  
Diffuser: Clear

### PRODUCT MEASUREMENTS

FIXTURE	BACKPLATE / CANOPY
Length:	Length
Width:	Width:
Diameter 8"	Diameter: 4.5"
Height: 11"	Height: 1"
Extension:	
Overall Height:	

### TECHNICAL SPECIFICATIONS

#### SPECIFICATIONS

Frame Material: Steel  
Diffuser Material: Glass  
Lamping Type: SSL (Dedicated LED) Jbox: Standard  
Lamping Base: SSL Lamp Wattage: 9 W  
Lamp Quantity: 1 Total Wattage: 9 W  
Voltage: 120v Lamps Included: Yes

#### QUALIFICATIONS

Location Rating Damp  
Certification: ETL (US/Canada) Listed  
ADA Compliant: No Energy Star: No  
JA8 Compliant: Yes Emergency Lighting: No  
Marine Grade: No Warranty: 5 Year

#### PHOTOMETRICS

Dimmable: Yes Nominal Lumens 600 Lm  
CRI: 90 Delivered Lumens: 506 Lm  
CCT: 3000K  
Recommended Dimmers:  
(TRIAC)LUTRON Diva DVCL-153P; (ELV)LUTRON Maestro CL  
(Package) MACL-153M-RHW; (TRIAC)LEVITON Decora  
Sureslide 6672; (ELV)LUTRON Skylark Contour CTCL-153P;  
(ELV)LUTRON Caseta PD - 6WCL; (ELV)LUTRON Maestro CL  
MACL-153M; (TRIAC)LUTRON Ariadni/Toggler TGCL-1

#### Additional Notes:

Custom Finish 100 Piece Minimum Order Quantity; Optional Color  
Temperature 100 Piece Minimum Order Quantity

Project Name: \_\_\_\_\_

Location: \_\_\_\_\_

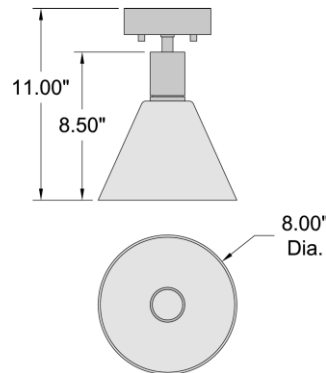
Type: \_\_\_\_\_

Quantity: \_\_\_\_\_

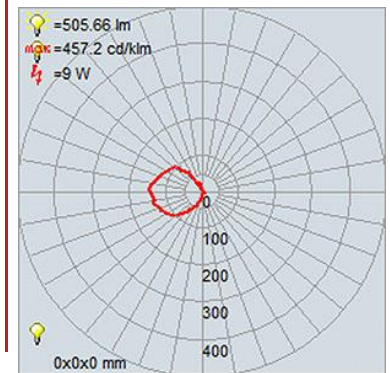
Notes: \_\_\_\_\_



#### LINE DRAWING



#### IES FILE



In addition to Access Lighting's purchase and warranty terms and conditions, by signing below or placing an order, you agree that you are authorized to bind the entity placing any order and acknowledge the following: All of sizes and measurements are approximate and all images are for illustrative purposes only. In the event of an inconsistency, the "Product Measurements" section controls. There also may be slight differences in the colors and designs compared to the displayed and printed images.

Signature: \_\_\_\_\_

Print Name \_\_\_\_\_ Date: \_\_\_\_\_

Toll Free 800-828-5483 [www.AccessLighting.com](http://www.AccessLighting.com)

14410 Myford Road, Irvine, CA 92606

The information is subject to change without notice. 11/8/2022 63146LEDD-BS\_CLR.pdf

